

16" Electric Dual Cast Iron Crepe Maker

ITEM: 47390

Model: CE-CN-0400D



Upgrade your culinary experience with this cutting-edge crepe making griddle, designed to simplify and streamline the cooking process. Boasting a non-stick cast iron plate and a durable stainless steel body, this griddle is built to last.

Perfect for various establishments, including bistros, cafeterias, restaurants, bakeries and dessert bars.

SPECIFICATION

Item	47390
Power	3500 W / 2.35 HP
Electrical	120V / 60Hz / 1Ph
Temperature	60 – 300°C / 140 – 570°F
Plate Diameter	16" / 406 mm
Plate Material	Cast Iron
Body Material	Stainless Steel
Net Dimensions (WDH)	34.3" x 17.7" x 9.4" 870 x 450 x 240 mm
Gross Dimensions (WDH)	37.2" x 20.7" x 11.8" 945 x 525 x 300 mm
Net Weight	71.1 lbs/ 32.26 kg
Gross Weight	74.5 lbs/ 33.8 kg

Telephone: 1-800-465-0234

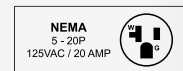
Fax: (905) 607-0234

Email: sales@omcan.com

Website: www.omcan.com



Authorized Dealer



16" Electric Dual Cast Iron Crepe Maker



Easy-to-use
thermostatic control feature and indicator light for simple and effortless operation.



16" Cooktop
made of cast iron with commercial-grade non-stick surface for flawless crepe with perfect results everytime.



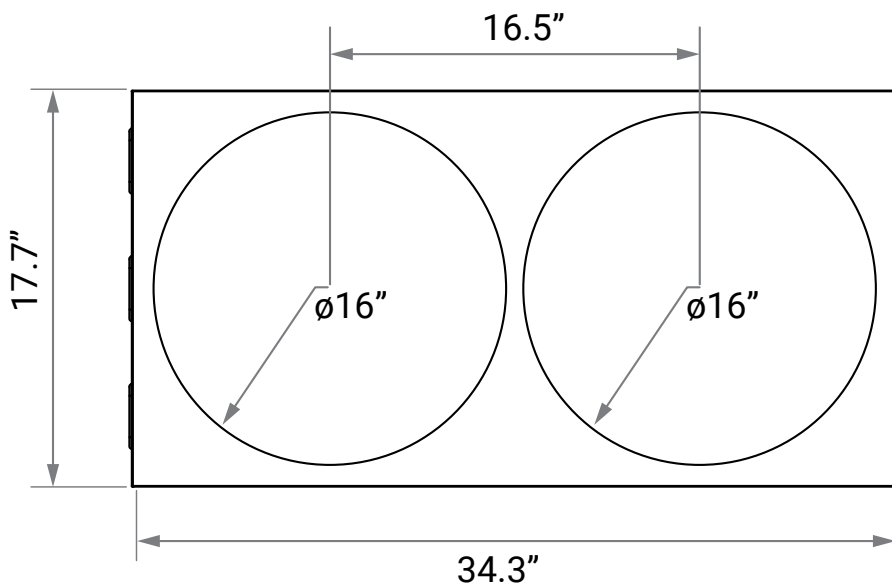
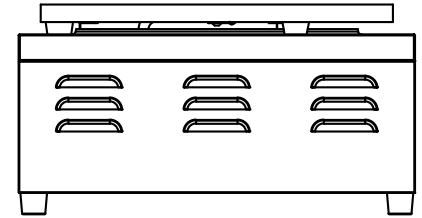
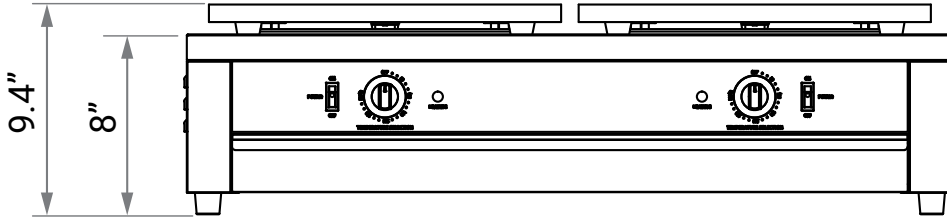
Double griddle
allows efficiently cooking multiple crepe at once during high-peak serving time.



Non-drip feet
provide stability on different surface ensuring safe operation in busy kitchen.

DIMENSIONS

(Measurements in diagrams are in inches)



Includes
1 x stainless steel spatula
1 x wooden spreader